

## Instructions for Use

### P54 SB Omni-Block SwivaBiner

CE 0120  
EN 362:2004/B, EN12275:2013/B  
EN 12278:2007

### WARNING! EXPERT USE ONLY

Made in the USA using foreign and domestic materials

Register your product at:  
www.rockexotica.com/register

- These activities are inherently dangerous and carry a significant risk of injury or death that cannot be eliminated.
- These instructions DO NOT tell you everything you need to know.
- Do not use unless you can and will understand and assume all risks and responsibilities for all damage/injury/death that may result from use of this equipment or the activities undertaken with it.
- Everyone using this equipment must be given and thoroughly understand the instructions and refer to them before each use.
- You must always have a backup-never trust a life to a single tool.
- You must have a rescue plan and the means to implement it. Inert suspension in a harness can quickly result in death!
- Do not use around electrical hazards, moving machinery or near sharp edges or abrasive surfaces.
- We are not responsible for any direct, indirect or accidental consequences or damage resulting from the use of our products.
- Stay up to date! Regularly go to our website and read the latest user instructions.



**WARNING:** This product can expose you to chemicals including nickel acetate, which is known to the State of California to cause cancer. For information go to [WWW.P65Warnings.ca.gov](http://WWW.P65Warnings.ca.gov)

**rockexotica.com**  
Rock Exotica LLC · POB 160470 ·  
Freepoint Center, E-16 · Clearfield, UT  
84016 · USA · 801 728-0630

P54SB5006 06/2020 A

## (EN) ENGLISH

Fig. 2: For orientation only. Not for high speed or multi-rotation. See fig. 2. (A) Verify swivels rotate freely. Swivel-type devices must NEVER be used with steel cable or wire rope unless the wire rope manufacturer verifies such use is approved and that the cable/rope will not unwind when used with a swivel. (B) Verify spring pin is in place and has not been removed. (C,D) Ensure swivel axle has not loosened by checking axle head with your fingers and making sure swivel top does not move up or down.

### MANDATORY CARABINER LOCKING PROCEDURE:

Serious accidents have resulted from un-locked carabiners. Dirt, ice, etc. can jam a sleeve. Never assume autolock carabiners lock on closing - always confirm!

You must understand how the sleeve works and know what it looks like when it is locked and unlocked.

You must faithfully do the following every time you clip a locking carabiner:

1. Visually confirm the carabiner is locked.
2. Push in on the gate/sleeve to confirm by touch that it is locked.

Do not allow ropes or objects to rub or twist the sleeve because this could unlock it. Vibration can also unlock a sleeve. Regularly check that the carabiner is locked and positioned properly and always do so if items

contact it or anything unusual occurs. Sleeves must be locked to achieve full strength. See fig. 3.

### MANDATORY PULLEY LOCKING PROCEDURE:

The sideplate must be closed and locked with the button fully extended, or strength will be greatly reduced and the rope may fall out with catastrophic results. You must understand how the sideplate & locking button work & must faithfully do the following every time you use it:

1. Visually confirm the sideplate is fully closed and the locking button is fully extended.
2. Test the sideplate by attempting to rotate it to confirm by touch that it is locked.

Do not allow anything to contact the button in use. Regularly check that the sideplate is locked and the pulley is positioned properly. If the pulley cannot be kept in sight, use a conventional pulley. See fig. 4.

### USE

This PPE is intended to protect against falls from height and conforms to EU regulation 2016/425. Declaration of Conformity is available at [www.rockexotica.com](http://www.rockexotica.com).

**Strength:** In a single pulley, half the load is on one side of the rope and half is on the other. The total load on the pulley is thus 2x the mass that is being raised or lowered. In a double pulley the total load is 4x the load on the 4 individual ropes. This is illustrated on the pulley. Breaking Strength & Working Load are based on this equal loading. If the sideplate is not fully locked by the button, the strength will be severely reduced, to about 10kN, but also, the rope may fall out. Pulleys must be free to align with the load, any restraint is dangerous.

**Working Load Limit:** Is based on about a 4:1 safety factor. You must decide if that is sufficient in your situation or if you need to adjust the WLL.

**Prusik Use - Caution!** Prusiks must always have an experienced person tending them. Never allow a jammed Prusik to be pulled in between the sideplates. This can bend or break the pulley and allow the rope to fall out! See fig. 5.

**Breakage Hazard:** Do not let an object in between the sideplates and never rig your system so that the pulley is forced against something that could break or open the sideplate, allowing the rope to fall out. See fig. 6.

**To Open Sideplate:** Depress the button & rotate sideplate counterclockwise (clockwise for the back side of the double). It should stop at the 2nd button detent. In this position the strength is severely reduced, but the rope will not fall out as easily as it can in the fully open position. To fully open, just depress the button again & rotate.

**To Close Sideplate:** Rotate sideplate past the 2nd detent to the fully closed position. Verify the button extends fully through the hole & test that the sideplate is really locked & secure. You should be able to close it one-handed, but the components will last longer if you depress the button a little to help it when closing.

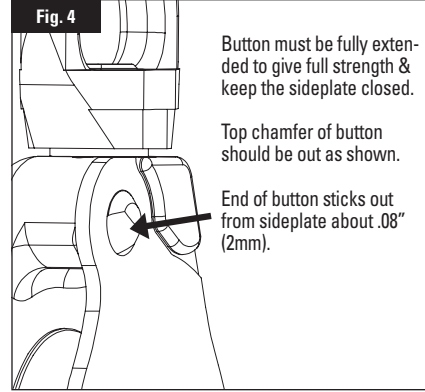
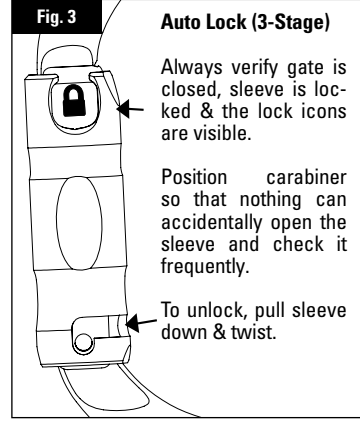
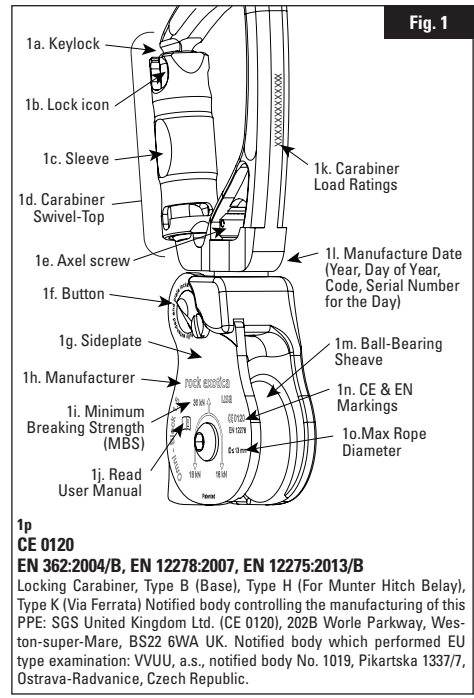
**In Use:** Do not allow anything to press button & accidentally unlock sideplate. Do not allow anything to pry the sideplates apart, or opening or breakage may occur.

**Pinching Hazard:** Rope travelling through a pulley can suck in hair, fingers, clothing, etc., causing injury & jamming the pulley. Guard against this.

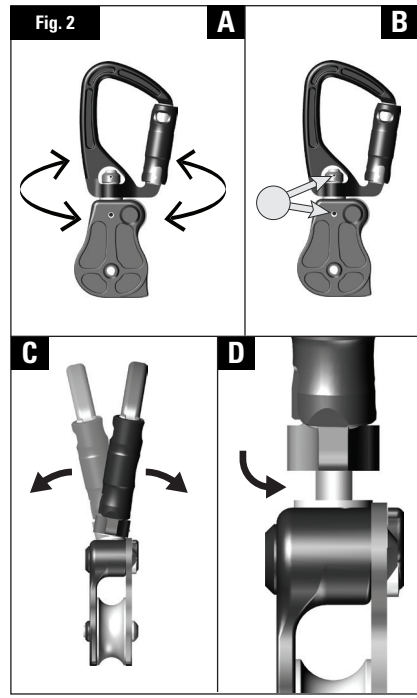
The Omni-Block SwivaBiner must only be used in a straight pull. It must NEVER be subjected to a bending force.

**Intended Use:** This Personal Protective Equipment (PPE) should only be used with energy absorbing systems such as dynamic ropes, energy absorbers, etc. & slack must be kept out of the system to prevent high im-

	Omni-Block SwivaBiner
	1.1" 28 mm
<b>Max Rope</b> Ø < "... (... mm)	.5" (13mm)
<b>Strength/MBS</b>	23 kN
<b>WLL</b>	5 kN
<b>Height</b>	4.4" (112 mm)
<b>Width</b>	2.0" (51mm)
<b>Weight</b>	4.9 oz (140 gm)
<b>Minor</b>	7kN
<b>Inward</b>	6kN
<b>Open</b>	11kN
<b>Gate Opening</b>	.88" (22mm)
<b>Certification</b>	CE



	Sheave (En) - La roldana (Es) - Le réa (Fr) - Seilrolle (De) - De tractieschijf (Du) - Ložysko (Pl) - Trinsen (No) - Csigakerék (Hu)
	Strength (En) - Resistencia (Es) - Résistance (Fr) - Belastbarkeit (De) - Kracht (Du) - Wyrztrzymałość (Pl) - Stryke (No) - Szilárdság (Hu)
<b>WLL</b>	Working Load Limit (En) - Límite de carga de trabajo (Es) - Charge maximale d'utilisation (Fr) - Max. zulässige Belastung (De) - Limiet werklust (Du) - Dopuszczalne obciążenie robocze (Pl) - Arbejdslastgrense (No) - Munkaterhelés határértéke (Hu)
	Weight (En) - Peso (Es) - Poids (Fr) - Gewicht (De) - Gewicht (Du) - Waga (Pl) - Vekt (No) - Súly (Hu)
	Width (En) - Ancho (Es) - Largeur (Fr) - Breite (De) - Breedte (Du) - Szerokość (Pl) - Breddre (No) - Szélesség (Hu)
	Length (En) - Longitud (Es) - Longueur (Fr) - Länge (De) - Lengte (Du) - Długość (Pl) - Lengde (No) - Hossz (Hu)
	Height (En) - Altura (Es) - Hauteur (Fr) - Höhe (De) - Hoogte (Du) - Wysokość (Pl) - Høyde (No) - Magasság (Hu)
<b>Ø &lt; "... (... mm)</b>	Max Rope (En) - Cuerda máx.(Es) - Corde max. (Fr) - Max. Seil (De) - Maximaal touw (Du) - Maksymalna średnica liny (Pl) - Maks. Reip (No) - Max. kötél (Hu)



	Minor (En) - Menor (Es) - Mineur (Fr) - Klein (De) - Klein (Du) - Mała (Pl) - Mindre (No) - Kisebb (Hu)
	Open (En) - Abierto (Es) - Ouvert (Fr) - Offen (De) - Open (Du) - Otwarte (Pl) - Åpen (No) - Nyitva (Hu)
	Gate opening (En) - Apertura de la entrada (Es) - Ouverture du doigt (Fr) - Schnapperöffnung (De) - Opening van de sluiting (Du) - Zamek otwarty (Pl) - Portåpning (No) - Kapunyitás (Hu)
	Inward against gate (En) - Hacia dentro contra camisa (Es) - Intérieur contre manchon (Fr) - Kraft nach innen auf Hülse in kN (De) - Binnenwaarts tegen het omhulsel, kN (Du) - Na zamek do środka (Pl) - Innover mot mufte kN (No) - Befelé a kapu ellenében (Hu)

